

로브 펌프



LOBE PUMP
명 신 펌 프

MYUNG SHIN PUMP **LOBE PUMP**



Efficient Transfer ***The Wide application;*** ***Chocolate, Juice, Milk, Paint, etc.*** ***High & Low Viscosity of Fluid.***

Food Products

***Honey, Jam, Ice-crea, Sauce, Vegetable oil, Syrup,
Ketchup, Redpepper paste, Mayonnaise, etc.***

Beverages

Beer, Wine, Grape Juice, Vinegar, Sugar solution, etc.

Pharmaceuticals

Pure water, Medical supplies, Injection, etc.

Chemicals

PR Fluid, Semiconducts`fluid, Lubricate, Oil, etc.

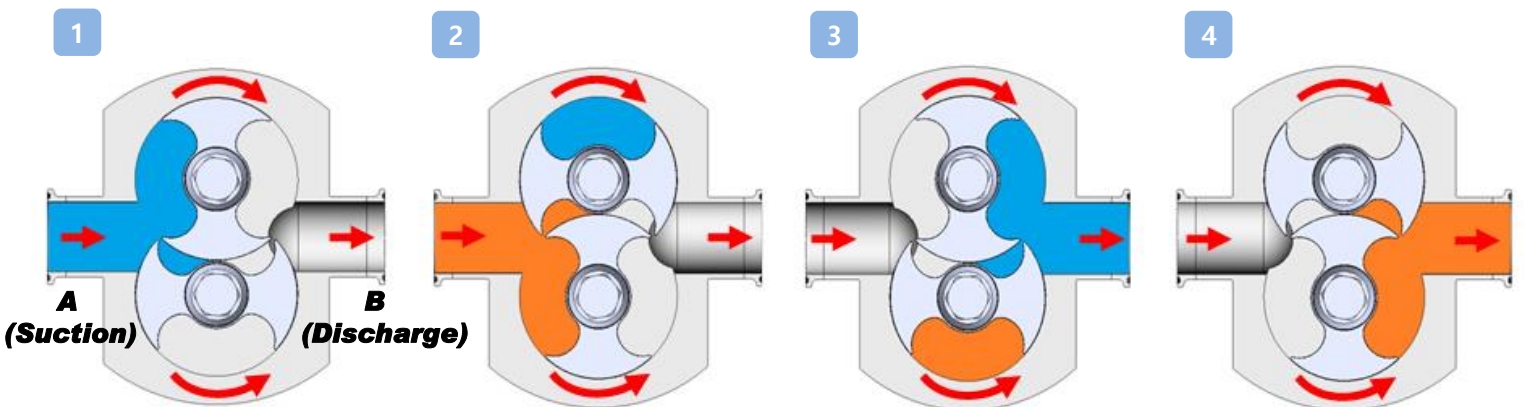
Cosmetics

***Cream, Shampoo, Toothpaste, Detergents, Soap,
Lotion, etc.***



Customized systems creation!!

Pumping Principle



■ **As two rotating rotors creates a partial vacuum from the A suction port, the atmospheric pressure or other external pressure force the fluid into the pump chamber. The chamber is filled with the fluid. The constantly rotating rotors push the fluid of the chamber to B discharge port.**

■ **The reverse rotating is possible.**

■ **This positive displacement pump is best to transfer the fluid with high viscosity and solids.**

MYUNG SHIN PUMP LOBE PUMP

With the efficient CIP and customized metering



Feature;

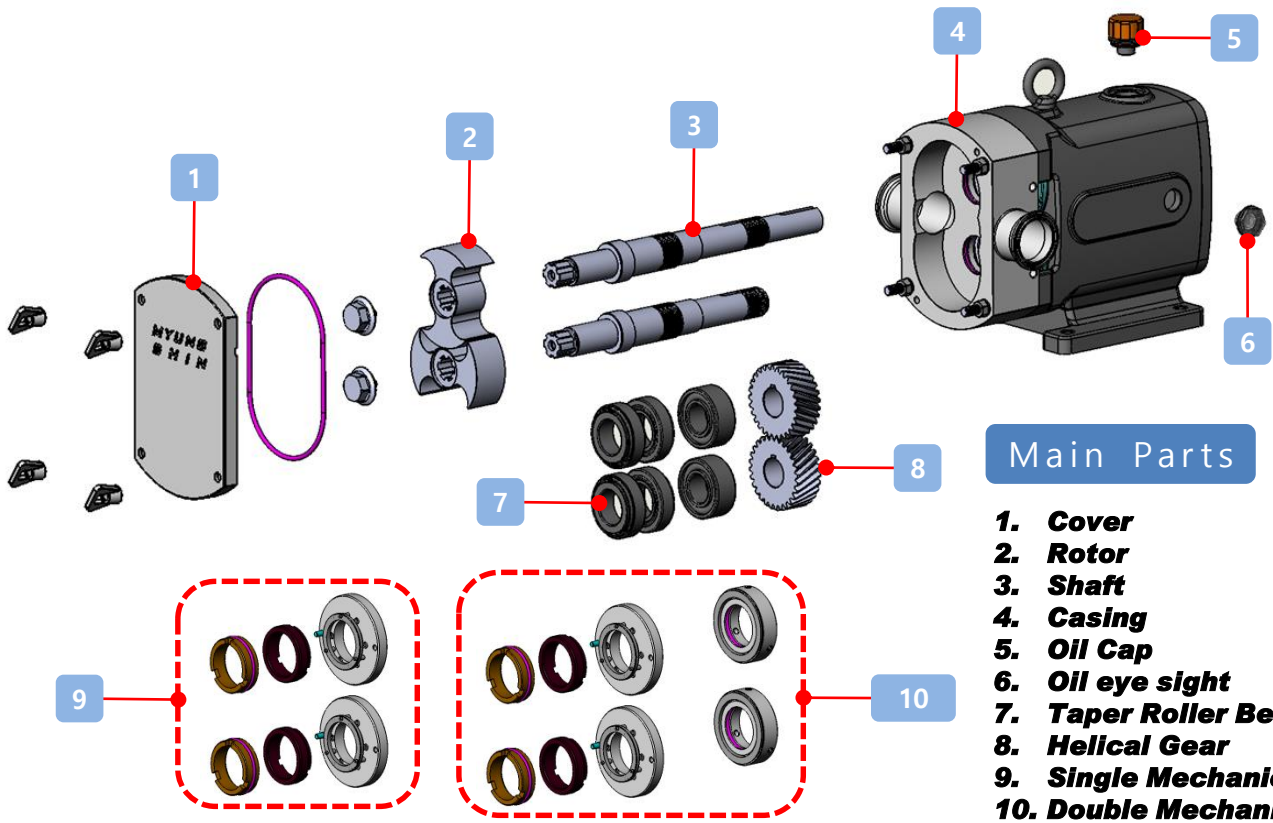
- **The inner of the pump can always be kept clear as CIP conformance.**
- **All main parts including the driving gear box are very hygienic as stainless materials.**
- **Inside mechanical seal systems are not only useful for high pressure but also benefit for keeping clean status. The seal replacement is easy by disassembling the case cover and rotors.**
- **Tapered bearing and two step bearing structures prevent the rotors from vibrating on the shaft. It makes the performance more stable.**

Specification

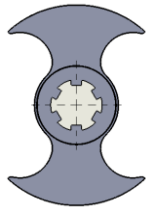
Max. Pressure	10 BAR	
Max. Viscosity	100,000 CPS	
Max. Temperature	90° C	
Max. useful RPM	800 RPM	
Main Materials	Casing	SCS 14/STS 316, 316L
	Rotors	STS 316L
	Shaft	STS 316L
	Mechanical Seal	TCITC, SIC/SIC, EPDM/INBR 외

Long life's Sanitary Pump.

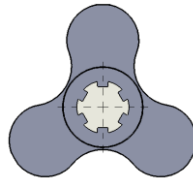
Cross sectional drawing



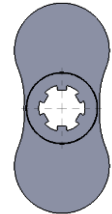
Rotor Shape



2-Vane rotor

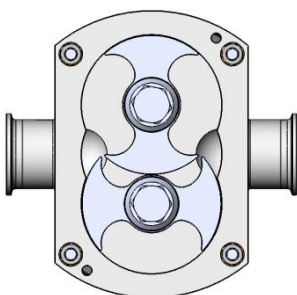


3-Vane rotor

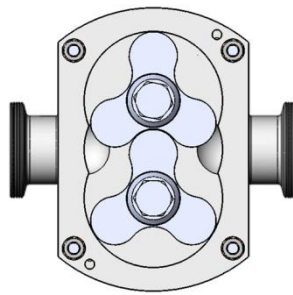


Peanut rotor

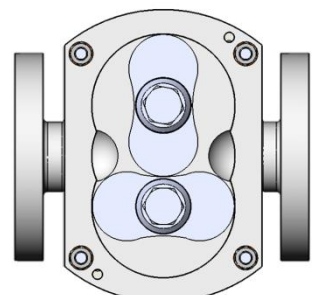
Port connection



Ferrule Clamp



DIN, SMS, ISO, IDF



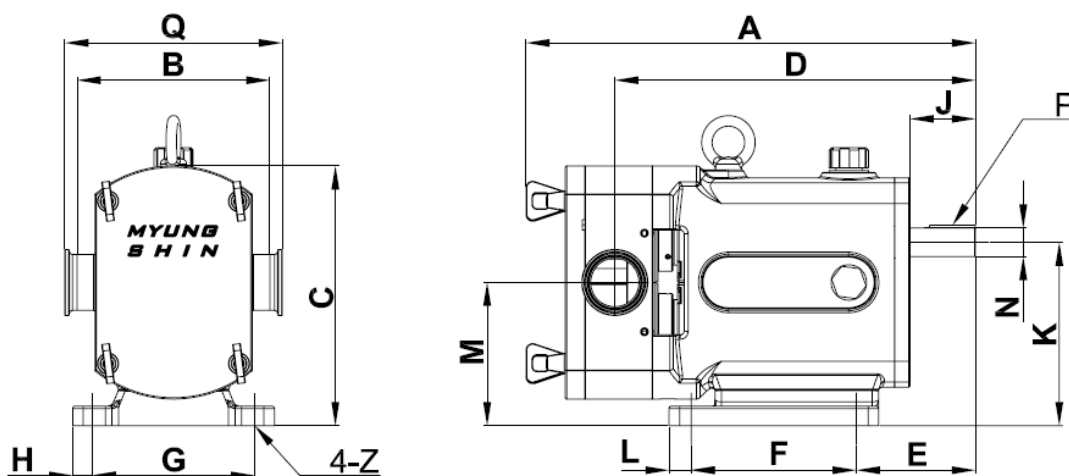
Flange

MYUNG SHIN PUMP LOBE PUMP

Selection Chart

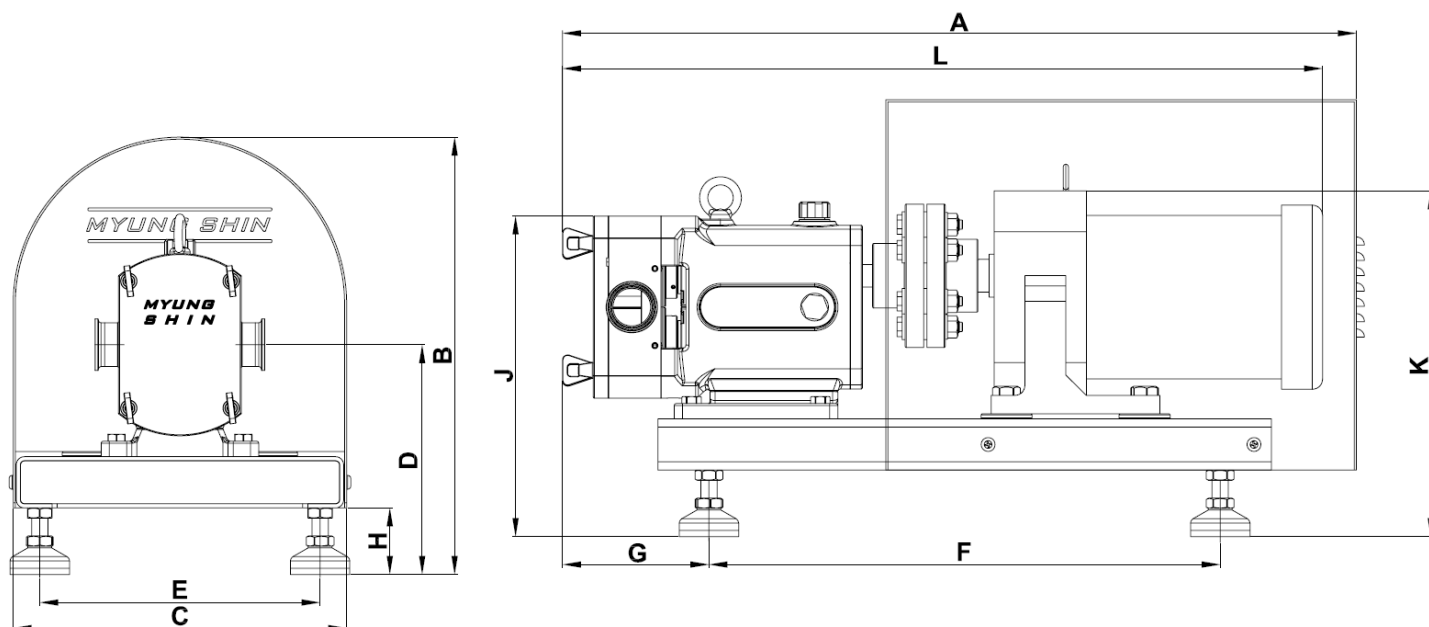
Model	Power [HP]	Capa./Rev. [L/rev]	Capa./100Rev. [L/100rev]	Recom. rpm [RPM]	Port size		Dis. Pressure [BAR]
					mm	Inch	
MS-1S-130	0.5HP, 1HP	0.13	13	100~400	25	1	5
MS-1.5S-180	1HP, 2HP	0.18	18	100~400	32	1.5	7
MS-2S-250	2HP, 3HP	0.25	25	100~400	40	2	10
MS-2S-400	3HP, 5HP	0.40	40	100~350	40	2	7
MS-2S-500	5HP	0.50	50	100~350	50	2	10
MS-2.5S-600	5HP, 7.5HP	0.60	60	100~350	65	2.5	10
MS-3S-750	10HP	0.75	75	100~250	80	3	5
MS-3S-900	15HP	0.90	90	100~250	80	3	7
MS-3S-1050	20HP	1.05	105	100~250	80	3	9

Outside dimensional drawing



Model	DIMENSION															
	A	B	C	D	E	F	G	H	J	K	L	M	N	P	Q	Z
MS-1S-130	336	147	198	272	91	126	124	15	50	140	17	109	Ø22	6x6	166	Ø10.5
MS-1.5S-180	343	147	198	276	91	126	124	15	50	140	17	109	Ø22	6x6	166	Ø10.5
MS-2S-250	356	147	198	284	91	126	124	15	50	140	17	109	Ø22	6x6	166	Ø10.5
MS-2S-400	418	209	263	340	107	166	150	15	60	185	17	143	Ø32	10x8	229	Ø11
MS-2S-500	427	209	263	344	107	166	150	15	60	185	17	143	Ø32	10x8	229	Ø11
MS-2.5S-600	436	209	263	349	107	166	150	15	60	185	17	143	Ø32	10x8	229	Ø11
MS-3S-750	500	237	308	406	123	195	180	20	70	220	20	171	Ø38	12x8	257	Ø15
MS-3S-900	511	237	308	417	123	195	180	20	70	220	20	171	Ø38	12x8	257	Ø15
MS-3S-1050	518	237	308	424	123	195	180	20	70	220	20	171	Ø38	12x8	257	Ø15

Outside dimensional drawing



Model		DIMENSION										
		A	B	C	D	E	F	G	H	J	K	L
MS-1S-130	0.4Kw-1/2HP	769	427	326	224	274	500	136	65	313	310	699
	0.75Kw-1HP	769	427	326	224	274	500	136	65	313	338	736
MS-1.5S-180	0.75Kw-1HP	776	427	326	224	274	500	143	65	313	338	743
	1.5Kw-2HP	846	427	326	237	274	570	143	65	326	361	824
MS-2S-250	1.5Kw-2HP	859	427	326	237	274	570	156	65	326	361	837
	2.2Kw-3HP	991	467	396	256	334	740	156	65	345	397	948
MS-2S-400	2.2Kw-3HP	1042	467	396	257	334	740	162	65	378	410	999
	3.7Kw-5HP	1042	467	396	257	334	740	162	65	378	410	1020
MS-2S-500	3.7Kw-5HP	1051	467	396	257	334	740	171	65	378	410	1029
MS-2.5S-600	3.7Kw-5HP	1060	467	396	257	334	740	180	65	378	410	1038
	5.5Kw-7.5HP	1163	537	456	257	380	790	210	65	378	412	1103
MS-3S-750	7.5Kw-10HP	1221	537	456	286	380	790	227	65	423	447	1197
MS-3S-900	11Kw-15HP	1237	557	566	286	490	790	238	65	423	497	1212
MS-3S-1050	15Kw-20HP	1423	597	566	301	490	940	245	65	437	494	1392

Myung Shin Pump

***308Ho Dongkuksangga A Dong,
Gochuk-Dong, Guro-Gu, Seoul, Korea***

TEL. +82-02-2633-8155

FAX.+82-02-2633-8154

<http://www.myungshinpump.com>

E-MAIL : gun982002@naver.com

