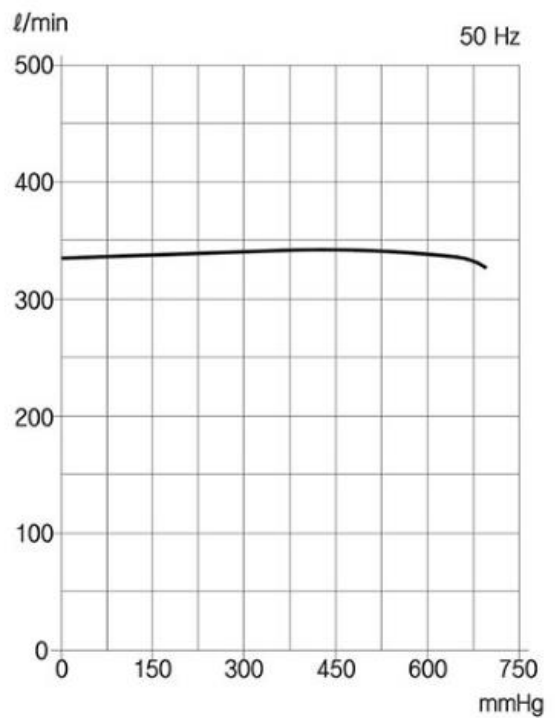
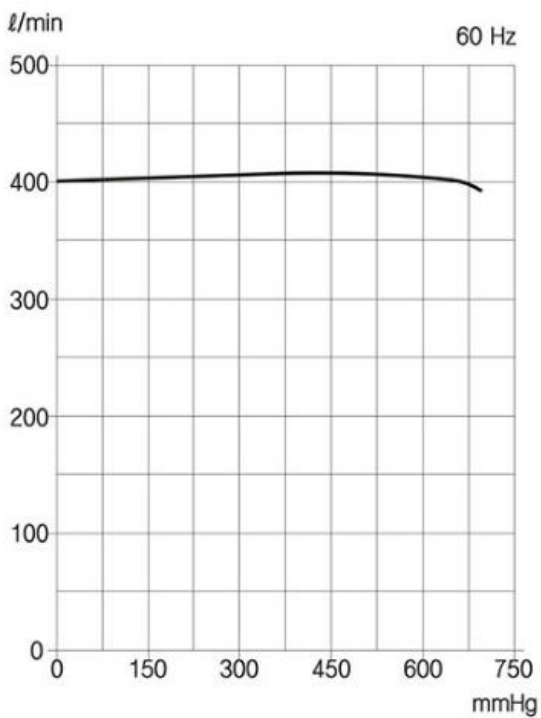


■ Technical data

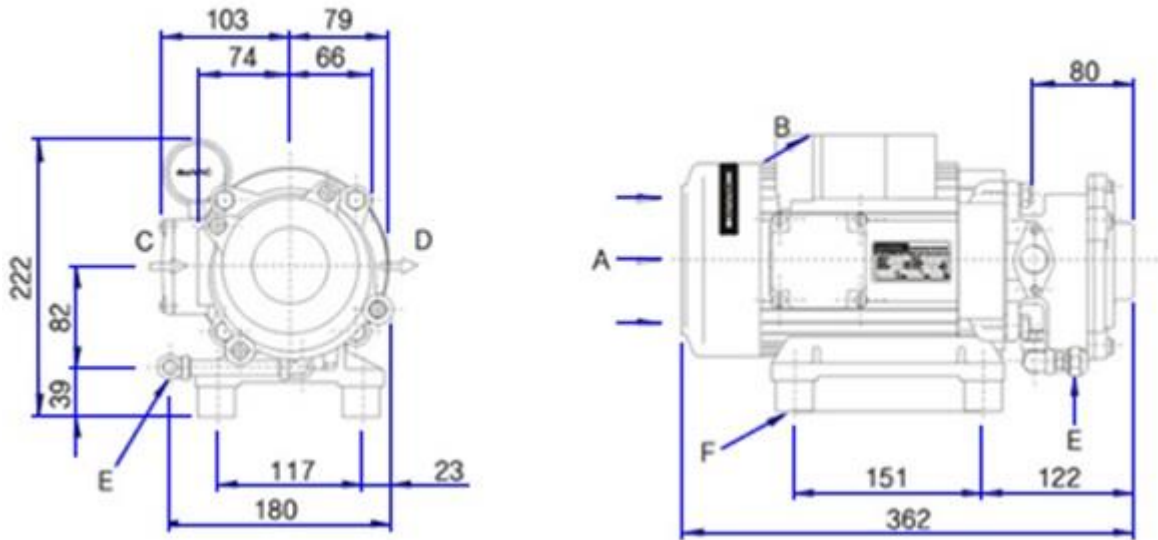


Model		DWV-	400
Displacement	60Hz	ℓ/min	400
	50Hz		335
Ultimate Pressure		mmHg	680
Motor (3Ph)		V(A)	220(4)/380(2.5)
		kW	0.75
Motor (1Ph)		V(A)	220(7.9)
		kW	0.95
Revolution	60Hz	min ⁻¹	3,430
	50Hz		2,850
Noise		dB	62
Operating Temp.		°C	40
Sealing Water		ℓ/min	1.9
Connections	Inlet flange		PT ½
	Exhaust port		PT ½
Weight		kg	20

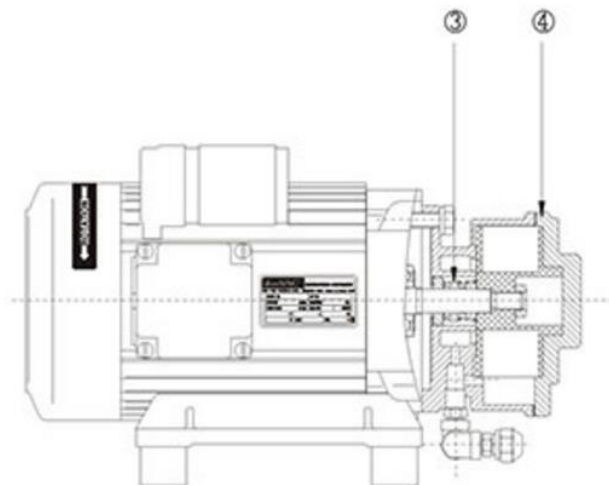
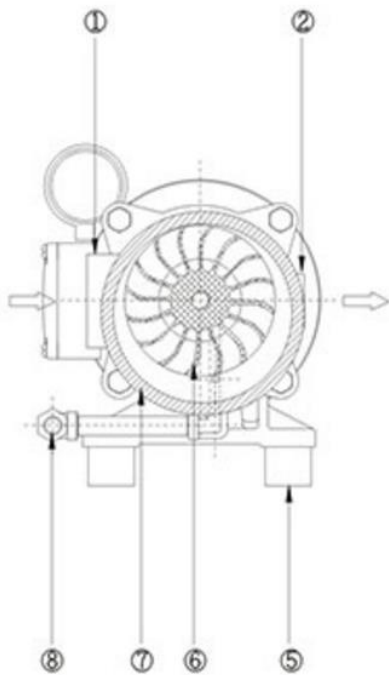
■ Performance Curve



■ Dimensions



A	Cooling air entry	
B	Cooling air exit	
C	Inlet flange	PT 1/2"
D	Exhaust port	PT 1/2"
E	Water supply line	3/8" Flare nipple or PT 1/4"
F	Rubber foot	3~4-M8 (DP 10)



- ① Inlet flange
- ② Exhaust port
- ③ Mechanical seal
- ④ Cylinder cover
- ⑤ Rubber foot
- ⑥ Impeller
- ⑦ Cylinder
- ⑧ Water supply line