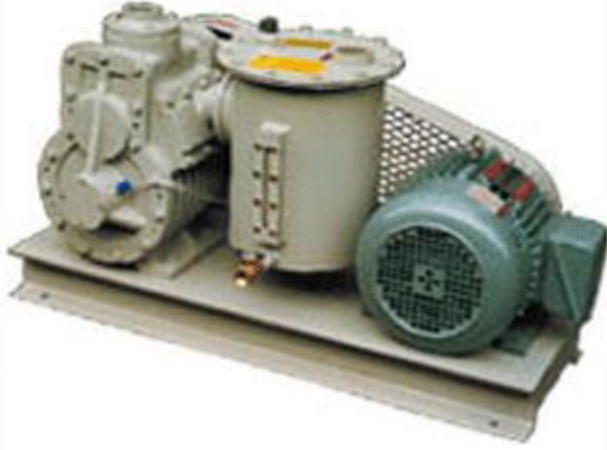
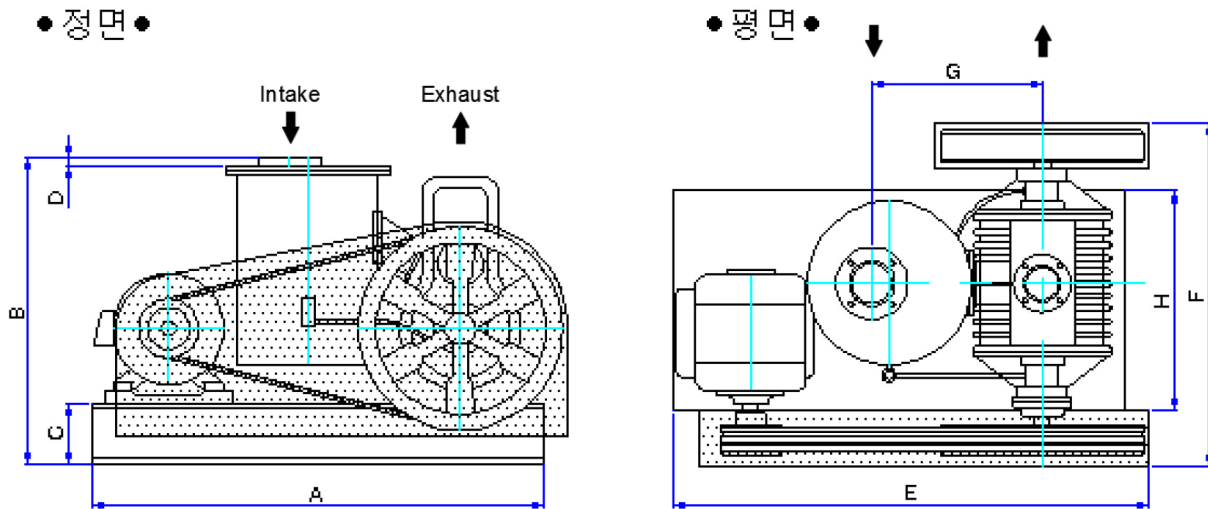


■ Technical data



Models		DVH-	40	75	150
Displacement	60Hz	ℓ/min	750	1,500	3,000
		Torr	$5 \times 10^{-2}$	$5 \times 10^{-2}$	$5 \times 10^{-2}$
Motor		kW	1.5	2.2	3.7
		HP	2	3	5
Revolution		RPM	420	420	360
Oil Capacity		Ltr	6	8	10
Connections	Intake	mm or G(BSP)	40	50	80
	Exhaust		40	50	65
Weight (without motor)		kg	89	160	270

■ Dimensions



Models	A	B	C	D	E	F	G	H
DVH-40	750	445	110	15	750	565	305	400
DVH-75	820	555	110	15	865	623	310	400
DVH-150	1000	720	110	15	1050	700	410	455